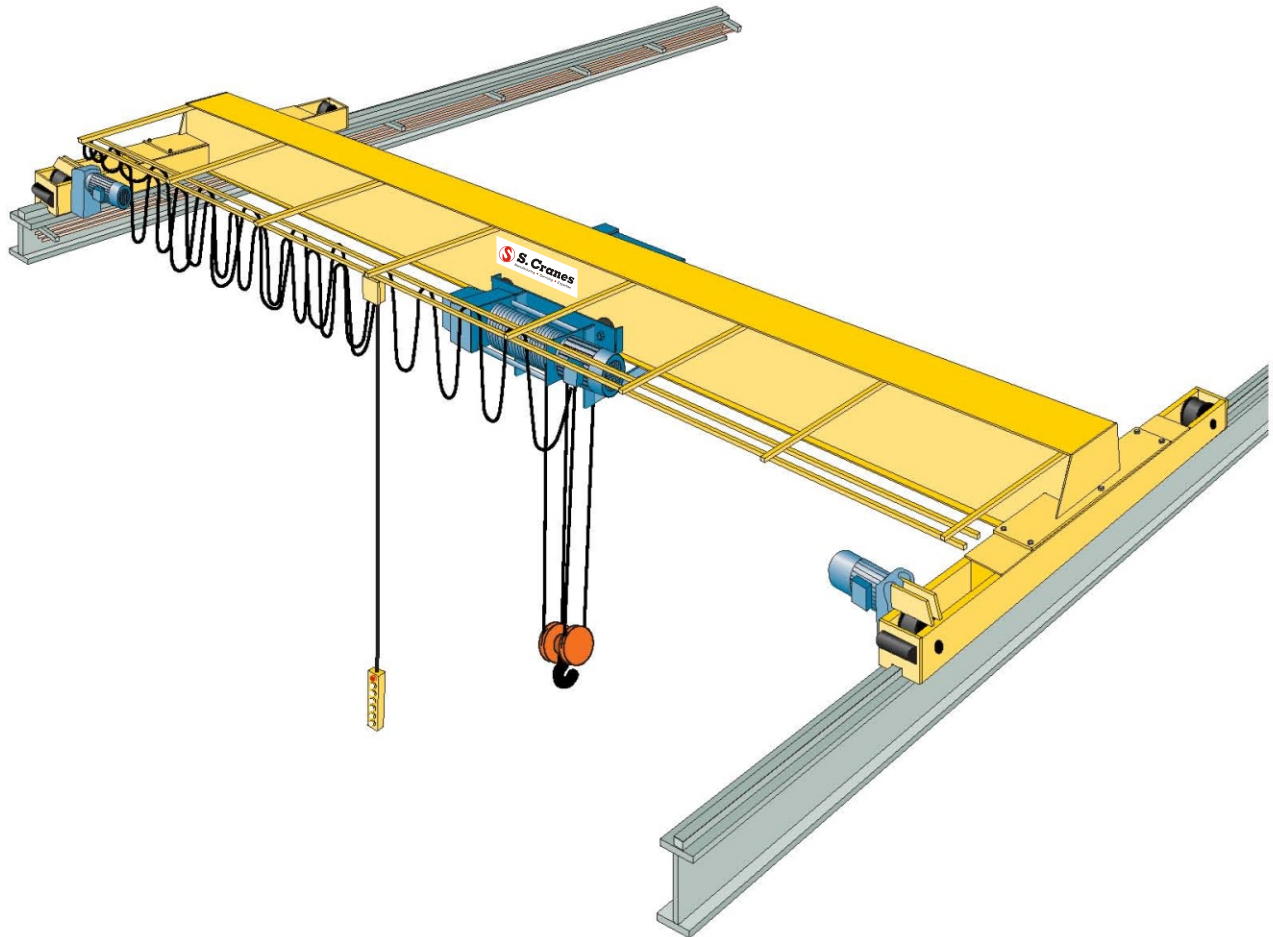
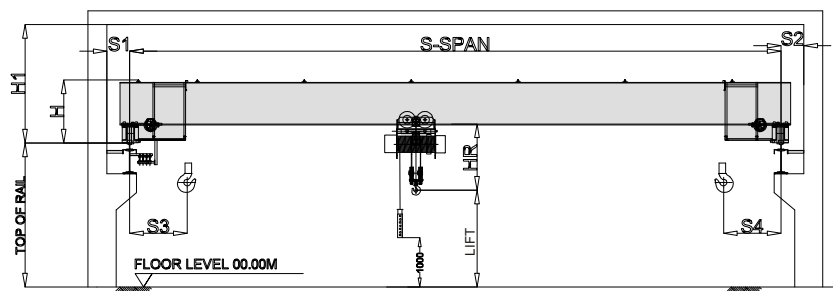


SINGLE GIRDER EOT CRANES

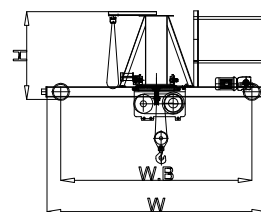


SALIENT FEATURES

1. Compact hoist design gives more lift and minimum hook approaches.
 2. Reputed makes used for components like motor, brake, contactors, wire rope etc.
 3. Two Short maintenance platforms provided for long travel drive maintenance.
 4. Economical as compared to a Double Girder Crane.
- Load testing carried out at works before dispatch-assured performance.
 - All options like Flameproof, Under slung, H.O.T. available.
 - Can offer with Dual Speeds, Independent Moving Pendant, and Radio Remote Control.
 - Can supply for heavy duty cycle or for a very long span.



ELEVATION



SIDE VIEW

All dimensions in mm

SWL IN TONNE	S SPAN Mtrs.	S1	S2	S3	S4	H	H1	LIFT	HR	WB	W	WHEEL LOAD TONNE
1 T	6	200	200	800	700	450	550	6000	600	1500	2000	1.0
	10	200	200	800	700	500	600	6000	600	2000	2500	1.21
	15	200	200	800	700	700	800	6000	600	2500	3000	1.38
	20	250	250	800	700	800	900	6000	600	3000	3600	1.8
	25	250	250	800	700	1000	1150	6000	600	3000	4200	2.12
2 T	6	200	200	900	700	500	600	6000	900	1500	2000	1.56
	10	200	200	900	700	650	750	6000	900	2000	2500	1.81
	15	200	200	900	700	800	900	6000	900	2500	3000	2.05
	20	250	250	900	700	1000	1150	6000	900	3000	3600	2.39
	25	250	250	900	700	1150	1300	6000	900	3600	4200	2.77
3 T	6	250	250	1000	800	550	650	6000	1000	1500	2000	2.1
	10	250	250	1000	800	700	800	6000	1000	2000	2500	2.43
	15	250	250	1000	800	900	1000	6000	1000	2500	3000	2.78
	20	250	250	1000	800	1100	1200	6000	1000	3000	3600	3.16
	25	250	250	1000	800	1250	1350	6000	1000	3600	4200	3.57
5 T	6	250	250	1100	900	600	700	6000	1200	1600	2200	3.02
	10	250	250	1100	900	800	900	6000	1200	2200	2800	3.52
	15	250	250	1100	900	1050	1150	6000	1200	2600	3200	3.93
	20	250	250	1100	900	1250	1350	6000	1200	3000	3600	4.4
	25	250	250	1100	900	1500	1600	6000	1200	3600	4200	5.0
7.5 T	6	250	250	1200	1000	700	800	6000	1600	1800	2400	4.25
	10	250	250	1200	1000	900	1000	6000	1600	2400	2800	5.01
	15	250	250	1200	1000	1250	1350	6000	1600	2800	3400	5.67
	20	250	250	1200	1000	1450	1550	6000	1600	3200	3800	6.34
	25	250	250	1200	1000	1600	1700	6000	1600	3600	4200	6.87
10 T	6	250	250	1200	1000	700	800	6000	1700	1800	2400	5.25
	10	250	250	1200	1000	900	1000	6000	1700	2400	2800	6.13
	15	250	250	1200	1000	1250	1350	6000	1700	2800	3400	6.84
	20	250	250	1200	1000	1450	1550	6000	1700	3200	3800	7.56
	25	250	250	1200	1000	1600	1700	6000	1700	3600	4200	8.11

ALL COMPONENTS GENERALLY DESIGNED IN COMPLIANCE WITH INDIAN STANDARDS



Head Office: A-101, Jetha Tower, S.V. Road, Ambawadi, Dahisar (E), Mumbai - 400 068.
Tel.: 022-32209201/02/03, 28951230 **Telefax:** 022-28955361
E-mail: scrane.sales@gmail.com
Website: www.scranes.net, www.scraneengineering.com
Works: Village Ghimaniya, Taluka - Talasari, Dist: Palghar, Maharashtra-401606. (Near Sanjan Railway Station)
Tel.: 0260-3208201, 3208202 **Telefax:** 0260-2576096, 2575275