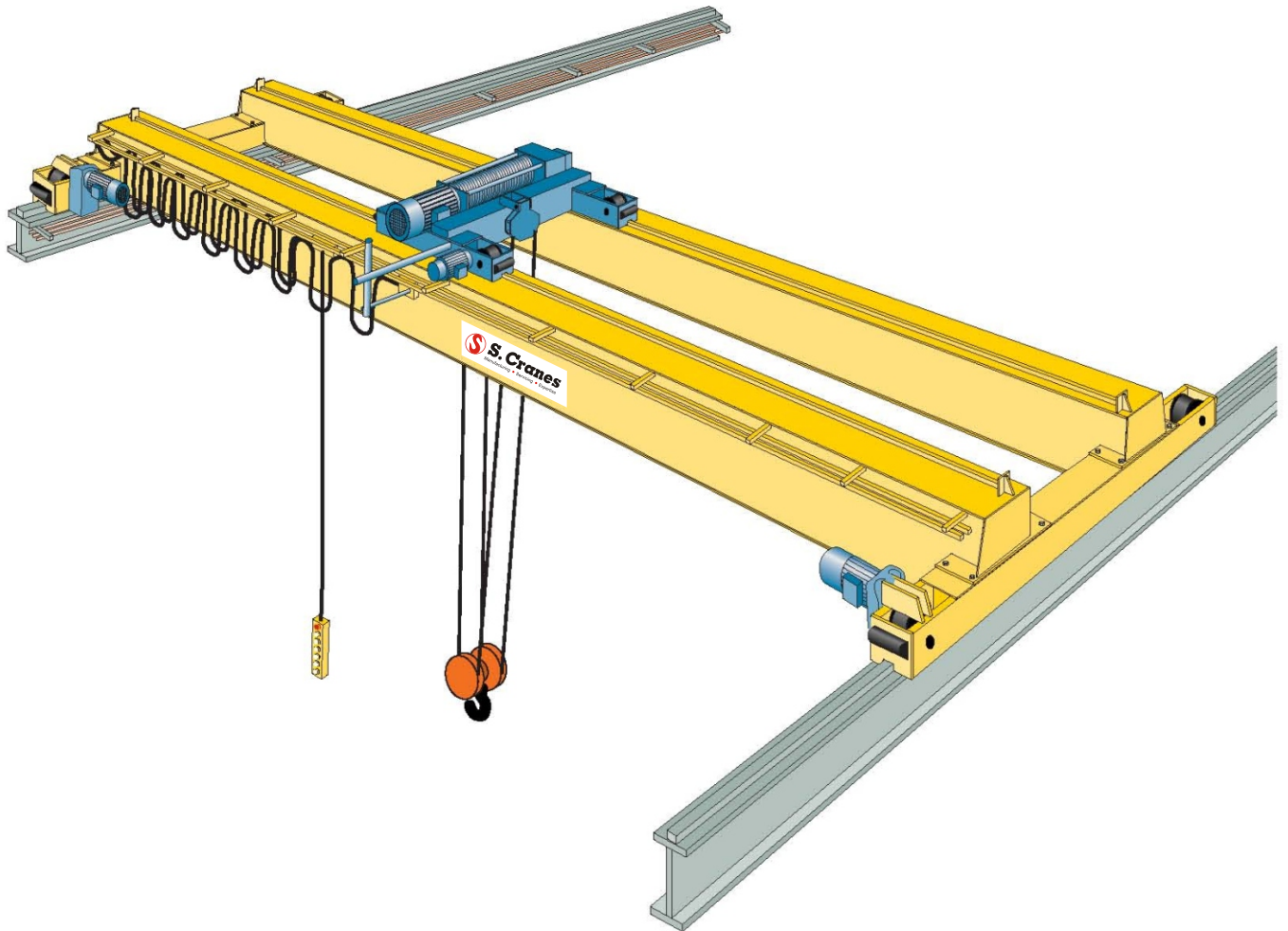
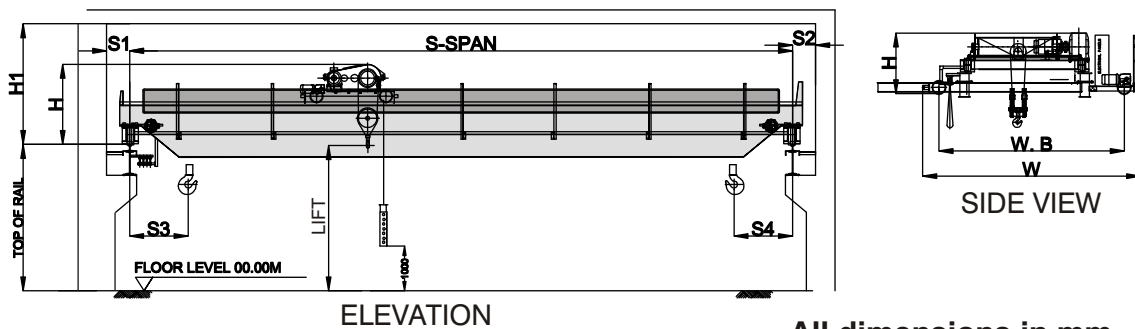


## DOUBLE GIRDER EOT CRANES



### SALIENT FEATURES

1. Heavy duty cycle design requires very low maintenance.
  2. Reputed makes used for components like motor, brake, contractors, wire rope etc.
  3. Load testing carried out at works before dispatch-assured performance.
- Flexibility in design can give different options suitable for the site.
  - Possible to offer any class, application, speed.
  - Full length maintenance platform can be provided for easy maintenance-low down time.
  - All options like Flameproof, H.O.T. and Sparkproof available.
  - Can offer with Variable Voltage Frequency Drive, Independent Moving Pendant, Radio Remote Control, Alarm, Bridge Lights and Load Limiting Device etc.
  - Can provide up to 100T capacity.



All dimensions in mm

SWL IN TONNE	S SPAN Mtrs.	S1	S2	S3	S4	H	H1	LIFT	WB	W	WHEEL LOAD TONNE
<b>5 T</b>	10	250	250	950	900	1300	1400	6000	2000	2700	3.7
	15	250	250	950	900	1400	1500	6000	3000	3700	4.25
	20	250	250	950	900	1550	1650	6000	3400	4100	5.15
	25	250	250	950	900	1600	1700	6000	3600	4300	6.15
	30	250	250	950	900	1600	1700	6000	4300	5000	6.96
<b>10 T</b>	10	250	250	1150	1000	1500	1600	6000	2400	3100	6.51
	15	250	250	1150	1000	1600	1700	6000	2700	3400	7.07
	20	250	250	1150	1000	1600	1700	6000	3400	4100	7.83
	25	250	250	1150	1000	1700	1800	6000	3600	4300	8.87
	30	250	250	1150	1000	1700	1800	6000	4300	5000	9.75
<b>15 T</b>	10	300	300	1200	1100	1600	1700	6000	2400	3100	9.2
	15	300	300	1200	1100	1600	1700	6000	3000	3700	10.46
	20	300	300	1200	1100	1700	1800	6000	3400	4200	11.67
	25	300	300	1200	1100	1700	1800	6000	3600	4400	12.8
	30	300	300	1200	1100	1700	1800	6000	4300	5100	14.05
<b>20 T</b>	10	300	300	1400	1200	1700	1800	6000	2400	3100	11.68
	15	300	300	1400	1200	1800	1900	6000	3000	3900	13.28
	20	300	300	1400	1200	1900	2000	6000	3600	4500	14.78
	25	300	300	1400	1200	2000	2100	6000	3800	4800	15.83
	30	300	300	1400	1200	2000	2100	6000	4300	5300	17.36
<b>25 T</b>	10	300	300	1400	1300	1900	2000	6000	3000	3900	14.09
	15	300	300	1400	1300	2100	2200	6000	3400	4400	15.93
	20	300	300	1400	1300	2100	2200	6000	3800	4800	17.37
	25	300	300	1400	1300	2200	2300	6000	4000	5000	18.77
	30	300	300	1400	1300	2200	2300	6000	4500	5500	21.39
<b>30 T</b>	10	300	300	1400	1300	1950	2050	6000	3000	3900	16.45
	15	300	300	1400	1300	2100	2200	6000	3600	4600	18.51
	20	300	300	1400	1300	2100	2200	6000	3800	4800	20.45
	25	300	300	1400	1300	2200	2300	6000	4500	5500	22.28
	30	300	300	1400	1300	2200	2300	6000	5000	6000	24.24

ALL COMPONENTS GENERALLY DESIGNED IN COMPLIANCE WITH INDIAN STANDARDS



**Head Office:** A-101, Jetha Tower, S.V. Road, Ambawadi, Dahisar (E), Mumbai - 400 068.  
**Tel.:** 022-32209201/02/03, 28951230 **Telefax:** 022-28955361  
**E-mail:** [scrane.sales@gmail.com](mailto:scrane.sales@gmail.com)  
**Website:** [www.scranes.net](http://www.scranes.net), [www.scraneengineering.com](http://www.scraneengineering.com)  
**Works:** Village Ghimaniya, Taluka - Talasari, Dist: Palghar Maharashtra-401606. (Near Sanjan Railway Station)  
**Tel.:** 0260-3208201, 3208202 **Telefax:** 0260-2576096, 2575275